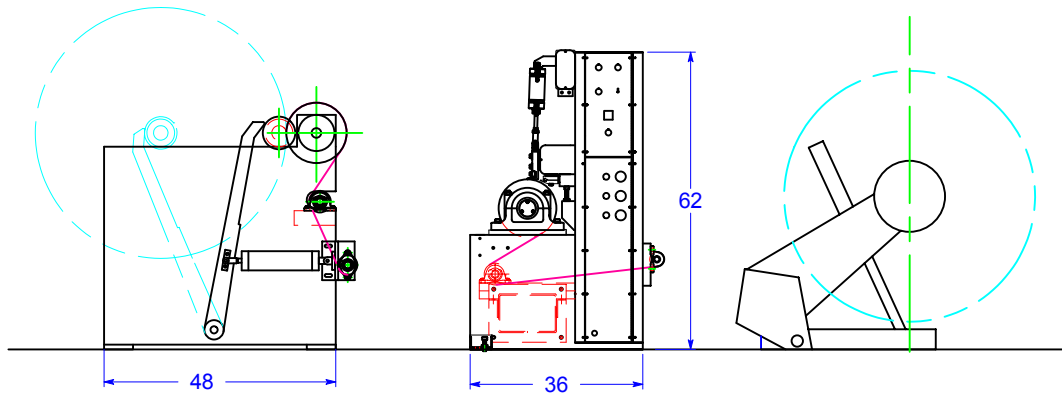
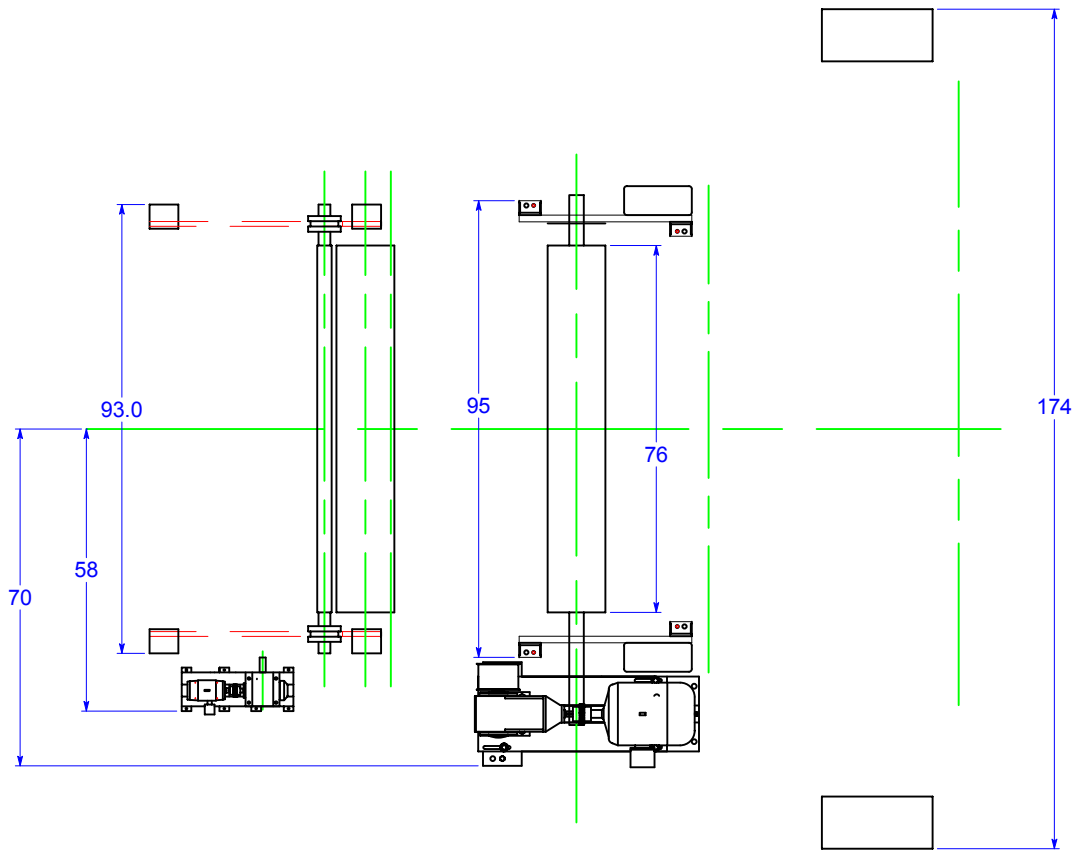


Rev	Description	Date	Approval



Tolerances Unless otherwise noted	
Dim.	Tol.
X.X	+/-0.05
X.XX	+/-0.02
X.XXX	+/-0.003
125 ✓	

Drawn by:	Date:
Checker:	Date:
Eng.:	Date:

MICREX CORP. Walpole, MA USA

**76" Microcreper
Layout**

Confidential : This document is the property of Micrex Corporation. This document or its contents shall not be used, copied, or disclosed without the prior written consent of Micrex Corporation. This drawing and all dimensions are for reference only. Actual dimensions may vary according to machine requirements.

A	DRWG. NO:
Scale: 1 : 1	Unit Weight:
Sheet 1 of 1	